

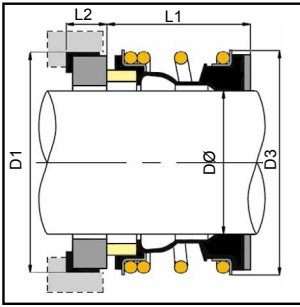
**STK 195 to suit AFP- series pumps**



Elastomeric bellow seals for lower position in many common submersible pumps, including “AFP”-ranges. Each is supplied with a back-washer, unless stated. Commonly paired with either STK 282, STK 1577 or STK 1632 upper seals, details of which are below. For identification purposes, please cross-reference the O.E.M. part number shown below, or enquire.

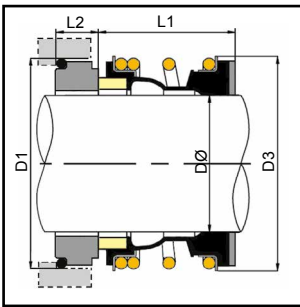
The first table shows those size assemblies stocked and supplied with a Boot Mounted Stationary.

Whilst the second table shown is for those with an ‘O’-Ring Mounted Stationary.



Stramek standard sizes

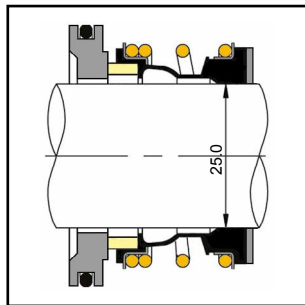
SHAFT SIZE DØ	SIZE CODE	D1	D3	L1	L2	O.E.M. part Number
15.00	0150	35.00	28.00	17.00	4.00	11110172
20.00	0200	35.00	36.00	21.50	7.50	11110001
25.00	0250	40.50	41.00	22.50	8.50	11110095
30.00	0300	50.80	47.00	24.00	9.50	11110096
40.00*	0400.B	58.00	60.00	33.50	11.00	11110144
45.00	0450	65.50	64.30	30.50	12.50	11110093
55.00*	0550	76.20	78.00	37.50	13.50	11110135
80.00	0800	104.00	106.50	40.00	15.00	11110051



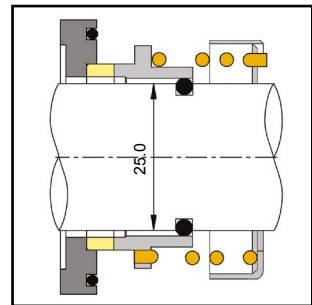
Stramek standard sizes

SHAFT SIZE DØ	SIZE CODE	D1	D3	L1	L2	O.E.M. part Number
40.00	0400	58.00	60.00	33.50	11.00	11110055
48.00	0480	67.00	69.00	30.50	10.00	11110003
65.00	0650	86.00	90.00	39.00	12.00	11110050
90.00	0900	114.00	125.00	46.30	13.00	11110052
100.00	1000	123.30	130.00	46.00	13.30	11110053

**STK 195P (Upper Seal)**

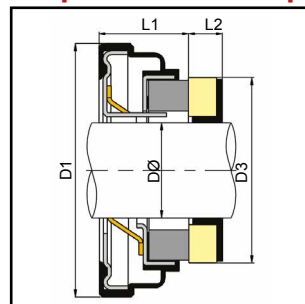


**STK 820 (lower Seal)**



Upper and lower 25 mm shaft size seals for use together, but available separately, to suit various A.B.S.<sup>®</sup> submersible pumps, including certain “JUMBO”, “SP” and “RP” series, which were previously supplied as the “Pumpex<sup>®</sup>” brand.

**STK 282 to suit af- and piranha series pumps**

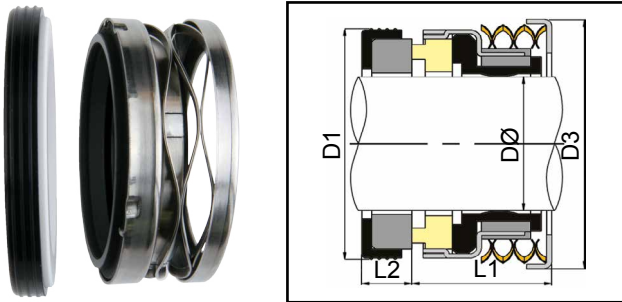


Rubber-encased upper seals primarily for “Piranha-M or -S” range submersible pumps. The lower seal is normally 25mm or 30mm STK 195 seal, detailed above. For identification purposes, please cross-reference the O.E.M. part number, or enquire.

SHAFT SIZE DØ	SIZE CODE	D1	D3	L1	L2	O.E.M. part Number
25.00	0250	52.00	41.30	12.00	5.00	11100027 & 28
30.00	0300	57.00	41.30	12.00	5.50	11100029

Stramek offer a wide range of seals to suit A.B.S.<sup>®</sup> pumps and mixers, especially submersible pumps.

### STK 1577 to suit afp series pumps

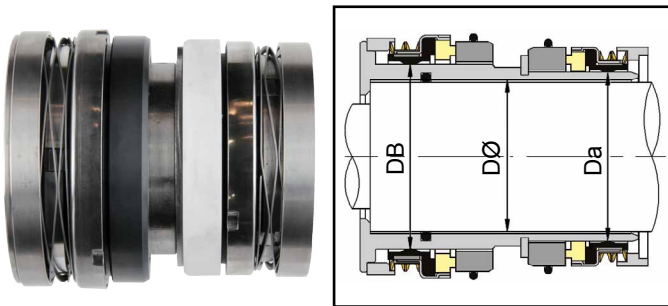


Elastomer diaphragm seals with sinusoidal wave-springs. 50mm size is routinely used as upper seal in certain "AFP" range submersible pumps, with 45mm STK 195 as the lower seal.

The 65mm STK 1577 is a lower seal, and is normally paired with the 55mm STK 195. For identification purposes, please cross-reference the O.E.M. part number shown below, or enquire.

SHAFT SIZE WDØ	SIZE CODE	D1	D3	L1	L2	O.E.M.
50.00	0500	72.00	66.10	19.00	10.00	11100083
65.00	0650	85.00	86.50	27.00	13.00	11110173

### STK 1578 to suit K-series pumps

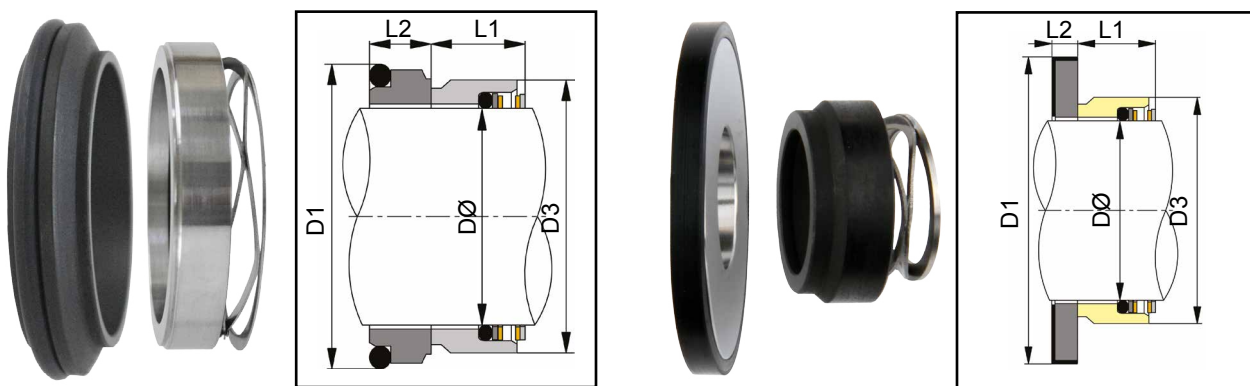


Elastomer diaphragm seals with sinusoidal wave-springs, supplied as upper and lower seals, ready mounted on a shaft sleeve, for installation directly into the bell-chamber style housing of A.B.S.<sup>®</sup> / Pumpex<sup>®</sup> "K" series pumps. For 25mm, 32mm or 35mm shaft sizes, please enquire.

SHAFT SIZE DØ	SIZE CODE	Da	Db
50.00	0500	55.00	60.00

### STK 1632 to suit afp-series pumps

'O'-Ring mounted wave-spring seals, routinely utilised in the upper-position of "AFP" series submersible pumps. The lower seal will normally be of STK 195. For identification purposes, please cross-reference the O.E.M. part number, or enquire.



NB:- SHAFT SIZE 20mm (image above) HAS BOOT MOUNTED STATIONARY

SHAFT SIZE DØ	SIZE CODE	D1	D3	L1	L2	O.E.M.
20.00	0200	52.00	31.00	13.50	6.00	11100066
48.00	0480	67.00	62.00	15.80	14.50	11100058
65.00	0650	86.00	79.00	17.80	15.30	11100059
80.00	0800	104.00	98.00	19.50	16.30	11100053
90.00	0900	114.00	105.00	19.50	16.30	11100055
100.00	1000	123.00	116.00	21.00	17.10	11100052