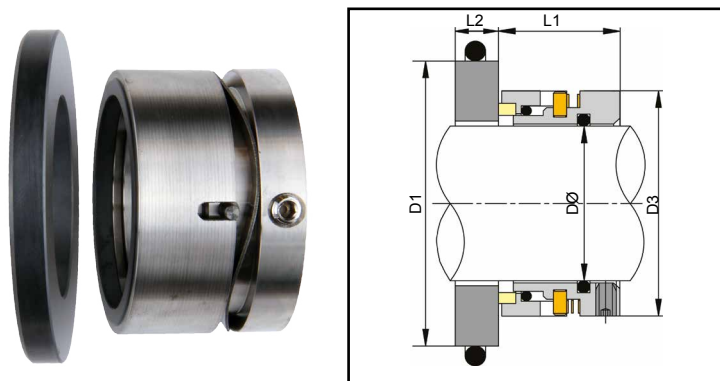


STK 1653 to suit dri-prime series pumps



SHAFT SIZE DØ	SIZE CODE	D1	D3	L1	L2
40.00	0400	69.90	56.00	32.00	7.50
50.00	0500	89.90	71.00	34.00	13.00

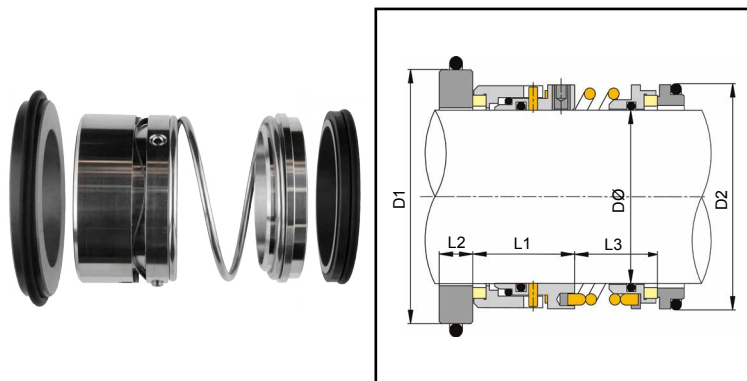
Stramek manufacture and stock a range of specific seal Types to suit Godwin® “Dri-Prime®” pumps, in materials suitable for all clean and dirty water transfer duties.

40mm and 50mm sizes normally operate as single seals.

Please contact us if you require 60mm size seals.

The STK 1653 is a robust heavy-duty design for more abrasive medias, for lower solid content fluids, the STK 1724P can be used, please see details below.

STK 1653D to suit dri-prime series pumps

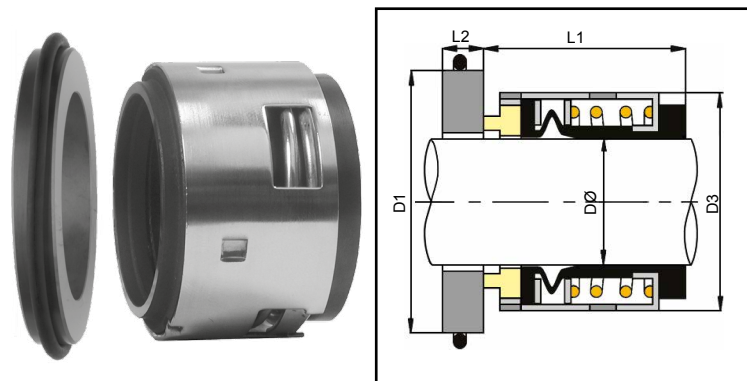


SHAFT SIZE DØ	SIZE CODE	D1	D2	L1	L2	L3
75.00	0750	109.90	98.00	45.50	14.90	37.00

For larger “Dri-Prime®” pumps with 75mm shaft sizes, a double seal is required. The most common arrangement is directly replaced by the Stramek STK 1653D, which shares a similar construction to the STK 1653 but with an additional single-spring component seal assembly to seal the oil-bath.

For all Godwin® pumps, please contact us with the O.E.M. details for cross-reference and identification.

Types 1724P and 1725P to suit dri-prime series pumps



SHAFT SIZE DØ	SIZE CODE	D1	D3	L1	L2	Stramek STK
40.00	0400	69.90	56.00	32.00	7.35	1725P
50.00	0500	64.50	66.00	34.50	10.30	1724P

Stramek Types 1724P and 1725P are designed to suit smaller models of “Dri-Prime®” pumps, and offer an easy to install elastomer bellow seal that is designed to suit the length of the seal chamber, removing the need to set the seal on the shaft with set screws. STK 1724 uses a standard Stramek rotary, STK 1725 has the same design but with a reduced working length.

For a heavy-duty alternative design, please see the STK 1653 detailed at the top of the page.