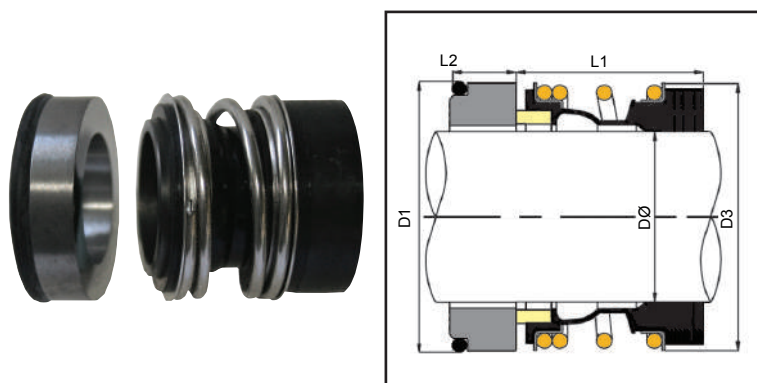


Stramek manufacture and stock a wide range of standard range and specific seal Types to suit all Types of Grundfos® pumps, including former Sarlin® submersible pumps and Hilge® sanitary pumps. Stramek seals for Grundfos® Hilge® sanitary pumps are dealt with in the following Food and Dairy Seals section. Please contact us with the O.E.M. details and part numbers for cross-reference and identification, if your requirement is not shown.

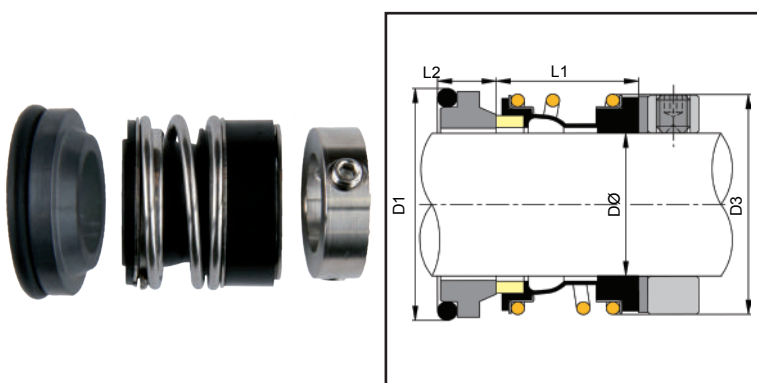
STK 192G Seals to suit Grundfos® pump ranges



Stramek manufacture and stock STK 192G elastomer bellow seals designed to replace the Grundfos® seal styles “A-” and “B-” with a single, superior performing and easier to install seal design, in the majority of their centrifugal pump ranges.

SHAFT SIZE DØ	SIZE CODE	D1	D3	L1	L2
12.00	0120	23.00	24.00	25.90	15.00
16.00	0160	27.00	28.00	28.40	12.30
22.00	0220	37.00	36.50	30.00	11.10
33.00	0330	48.00	51.00	35.00	7.50

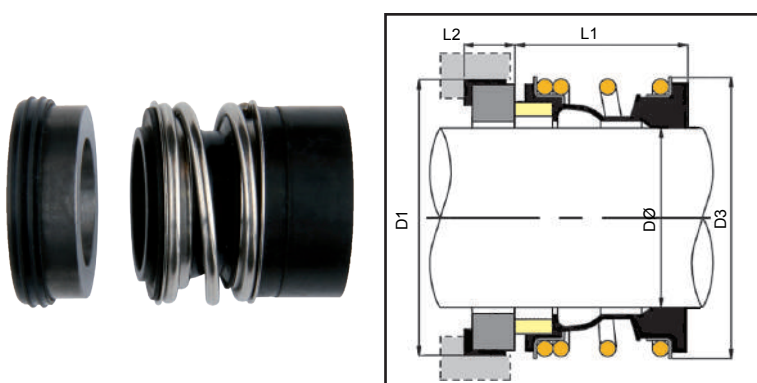
STK 196 16mm Seals to suit CP-Series pumps



Stramek manufacture and stock 16mm elastomer bellow seals with spacer and clamp ring to suit the Grundfos® “CP” series pumps. Widely utilised in building service applications.

SHAFT SIZE DØ	SIZE CODE	D1	D3	L1	L2
16.00	0160	31.50	28.50	21.50	10.50

STK 196 22mm Seals to suit LP-Series pumps



Stramek manufacture and stock 22mm elastomer bellow seals with special profile boot mounted seats to suit Grundfos® “LM”, “LP, LPD and LPE” series pumps. Widely utilised in building service applications.

SHAFT SIZE DØ	SIZE CODE	D1	D3	L1	L2
22.00	0220	37.00	36.00	33.00	12.00

Type GRXA Seal to suit CR-Series pumps

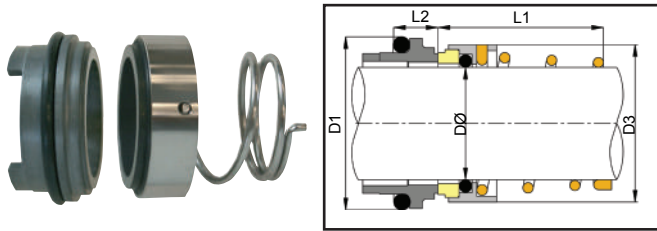


Stramek manufacture and stock 12mm, 16mm and 22mm STK GRXA push-fit semi-cartridge seals to replace Grundfos® “H” code seals installed in CR, CR1, CR1E series vertical multi-stage pumps and “CR15SF” models. STK GRXA are intended for all standard clockwise rotation pumps.

STK seals for GRUNDFOS® pumps

The following Types are designed for Grundfos® submersible pump ranges formerly branded as Sarlin®.

STK 81 Seals to suit S-Series submersible pumps



Stramek manufacture and stock 'O'-Ring mounted conical spring seals with positive drive, specifically designed to suit Grundfos® "S-" series pumps, with the older generation seal style installed. The O.E.M. older style seal is a conical single spring seal. For newer style seals, being multiple-spring, please see Types 40S8 and 42, at the foot of this page.

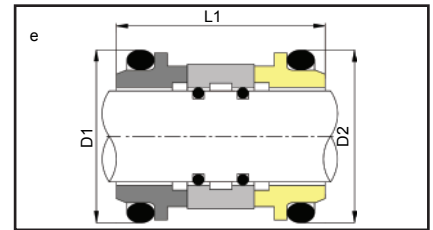
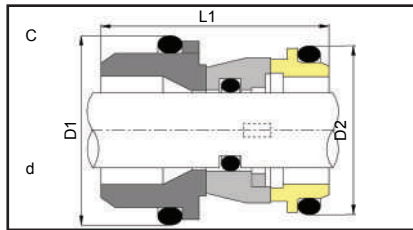
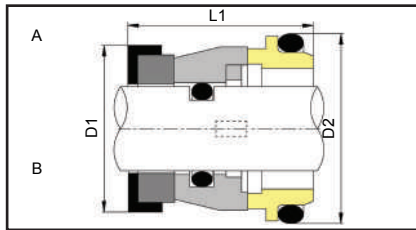
SHAFzT SIZE DØ	SIZE CODE	D1	D3	L1	L2
25.00	0250	38.00	36.00	26.50	10.00
32.00	0320	48.00	46.00	28.50	11.00
38.00	0380	55.00	53.00	33.50	11.50

STK 86 Seals to suit SE- and SV-Series pumps

Stramek manufacture and stock 'O'-Ring mounted double seals with varying face profiles, specifically designed for Grundfos® "SE-" and "SV-" series submersible pumps. Each size has a unique face profile, particularly relating to the central rotary face. Inboard seal and stationary faces are Monolithic Silicon Carbide, whilst the oil-bath side stationary is Monolithic Carbon.



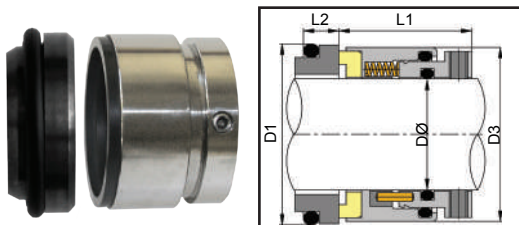
DIAGRAM	SHAFT SIZE DØ	SIZE CODE	STK CODE	D1	D2	L1
A	16.00	0160	86B	28.00	35.00	30.00
B	16.00	0160	86	28.00	35.00	30.00
C	24.00	0240	86	48.00	45.00	50.00
D	24.00	0300	86	48.00	45.00	50.00
E	38.00	0380	86	53.00	56.00	65.50



STK 40S8 and 42 Seals to suit S- Series pumps

Stramek manufacture and stock 'O'-Ring mounted multi-spring, balanced seals, specifically designed for Grundfos® "S-" series submersible pumps; upper and lower positions. STK 40S8 is for the upper, oil bath position, and STK 42 with the distinctive stationary profile, is for the lower, impeller position. 65mm Size STK 42 lower seal has a distinctive extended barrel with two 'O'-Rings to seal inside impeller recess, as per the original O.E.M. seal.

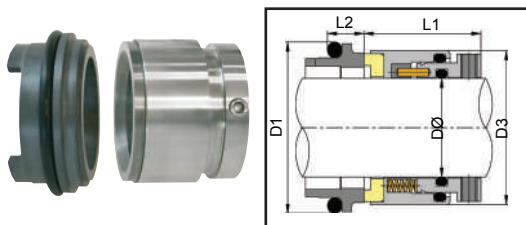
STK 40S8



SHAFT SIZE DØ	SIZE CODE	STK CODE	D1	D3	L1	L2
38.00	0380	40S	56.00	53.00	34.00	11.00
50.00	0500	40S8	70.00	65.60	34.50	9.50
65.00	0650	40S8	85.00	84.20	36.50	11.00

Please refer to our extensive O.E.M. Database in our Web Portal or contact us with the O.E.M. details or part numbers for cross-reference and identification.

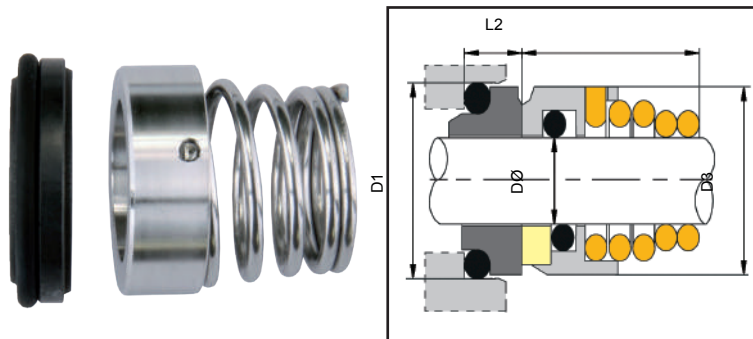
STK 42



SHAFT SIZE DØ	SIZE CODE	D1	D3	L1	L2
32.00	0320	48.00	46.00	34.00	11.00
38.00	0380	55.00	53.00	34.00	11.50
50.00	0500	70.00	65.60	34.50	14.00
65.00	0650	85.00	84.20	66.00	15.00

Conical Spring Seal Types

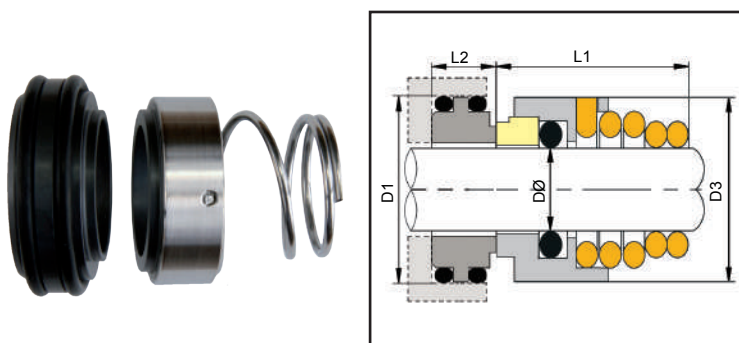
Stramek manufacture and stock a wide range of conical spring seals to suit several Grundfos® Hilge® centrifugal pump ranges, such as Hygia®, Maxana® and Sipla®. To aid identification of these very similar looking seals, please use the table below as your guide, showing the installed dimensions with the Stramek STK code and the O.E.M. STK code.



SHAFT SIZE DØ	SIZE CODE	D1	D3	L1	L2	Stramek STK CODE	O.E.M. SEAL CODE
19.00	0190	30.90	31.00	25.00	8.00	12	001-19 O3
19.00	0190	30.90	31.00	25.00	8.00	12S	001-19 O5
19.00	0190	35.00	31.00	20.00	9.50	8BU	002-19 O3
22.00	0220	37.00	33.00	27.50	10.00	126	L1K-22 F3
28.00	0280	43.30	40.00	29.00	9.00	12	001-28 O3
28.00	0280	43.30	40.00	29.00	9.00	12H	001-28 A3
28.00	0280	43.30	40.00	29.00	9.00	12S	001-28 O5
28.00	0280	42.00	40.00	24.60	11.00	8B	002-28 O3
30.00	0300	45.00	43.00	32.50	10.00	126	L1K-30 F3
30.00	0300	45.00	43.00	32.50	10.00	126L	L1K-30 G3
30.00	0300	45.00	43.00	40.00	10.00	127	L1N-30 D3
38.00	0380	60.50	53.00	39.00	11.50	12	001-38 O3
38.00	0380	55.00	53.00	31.00	11.50	8B	002-38 O3
40.00	0400	58.00	56.00	34.00	13.00	126	L1K-40 F3
40.00	0400	58.00	56.00	34.00	13.00	126L	L1K-40 G3
50.00	0500	70.00	66.00	38.00	14.00	126	L1K-50 F3
50.00	0500	70.00	66.00	38.00	14.00	126L	L1K-50 G3
50.00*	0500	70.00	66.00	43.00	14.00	8BU	1238-50 O3

If the final digit of the O.E.M. seal code is “2” then the replacement seal requires an anti-clockwise rotation coil. Please replace the “R” character in the Stramek code with “L” for anti-clockwise coil. If the O.E.M. code you require is not listed, check the two seal Types following or please contact us with your requirements.

STK 128

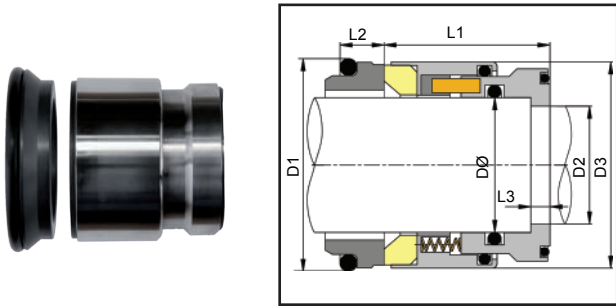


Stramek manufacture and stock our STK 128 conical spring seals with bi-elastomeric seats, for pumps with flushed seal chambers.

The STK 128 is frequently installed in tandem with the STK 12 seals listed above, on Grundfos®, Hilge® centrifugal pumps.

SHAFT SIZE DØ	SIZE CODE	D1	D3	L1	L2	O.E.M. SEAL CODE
19.00	0190	39.30	31.00	20.00	10.80	0B3-19 B3
28.00	0280	47.30	40.00	26.50	11.30	0B3-28 B3
38.00	0380	59.30	53.00	33.50	11.30	0B3-38 B3

Hygienic 1662/1663 Seal Types



Stramek manufacture and stock multi-spring seals to replace the original O.E.M. wave-spring seals, utilised for hygienic applications in Grundfos® Hilge® centrifugal pumps.

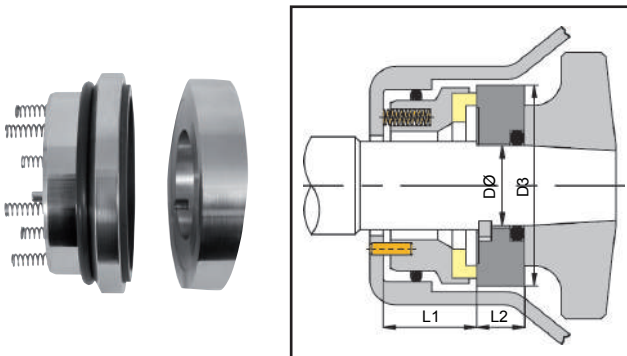
The common centrifugal series includes; Hygiana®, Euro Hygia®, Maxana®, Dura®, Sipla®, Contra® and Durietta®. However, the seal codes are universal and you may identify your seal from the codes below.

Conversion to the direct replacement Stramek balanced multiple-spring design avoids the potential for premature single wave-spring failure.

SHAFT SIZE DØ	SIZE CODE	D1	D2	D3	L1	L2	L3	Stramek STK CODE	O.E.M. SEAL CODE
19.00	0190	30.90	16.00	33.50	29.00	8.00	4.00	1662	001-19 O1
28.00	0280	43.30	24.00	43.00	33.00	9.00	4.00	1662	001-28 O1
28.00	0280	43.30	24.00	43.00	33.00	9.00	4.00	1662L	001-28 A1
28.00	0280	48.00	24.00	43.00	34.50	10.50	0.50	1663	BS2-28 O1
28.00	0280	48.00	24.00	43.00	38.00	10.50	4.00	1663A	BS3-28 O1
38.00*	0380	60.50	35.00	52.80	43.00	11.50	4.00	1662	001-38 O1
38.00	0380	57.10	35.00	52.80	35.00	10.50	0.50	1663	BS2-38 O1

Stramek® seals to suit INOXPA® pumps

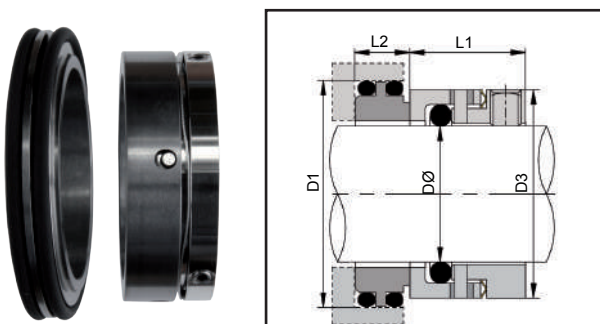
STK 50 Seals to suit Prolac® Series pumps



Stramek manufacture and stock STK 50 stationary multi-spring seals, to suit Inoxpa® Prolac® “S-” series pumps, with single or tandem arrangements. With stationary seals like the STK 50, the coils are on the stationary and the rotary is a counter-ring. Pumps with flushed seal chambers use tandem seals, with the Stramek STK 50 in the impeller position, and a standard Stramek STK 1688 in the outer flush water position. Dimensions for the STK 1688 can be found in the Wave-Spring Seals section.

SHAFT SIZE DØ	SIZE CODE	D3	L1	L2
0.625	0158	44.50	26.00	10.50
1.000	0254	53.50	26.00	10.00
1.500	0381	74.00	31.00	15.50

STK 1683 Seals to suit inoxpa® SLR® Series Lobe Rotor pumps



Stramek manufacture and stock STK 1683 wave-spring ‘O’-Ring mounted seals with bi-elastomeric seats, to suit Inoxpa® SLR® series lobe-rotor pumps. As with the majority of lobe rotor designs, two seals are required for each pump.

SHAFT SIZE DØ	SIZE CODE	D1	D3	L1	L2
28.00	0280	45.00	39.00	19.10	12.00
35.00	0350	53.00	45.50	19.10	12.00
50.00	0500	70.00	63.50	23.00	12.00
65.00	0650	90.00	82.30	25.80	14.00