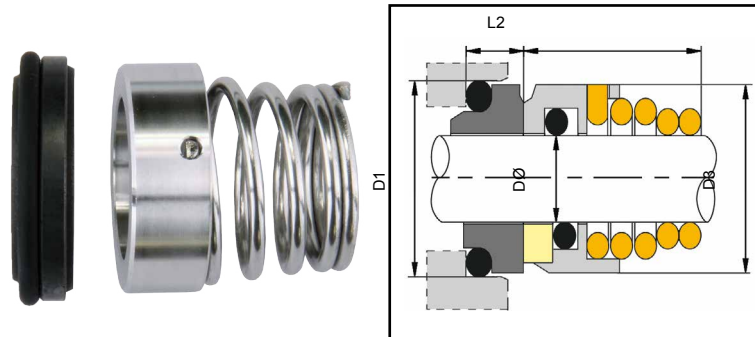


Conical Spring Seal Types

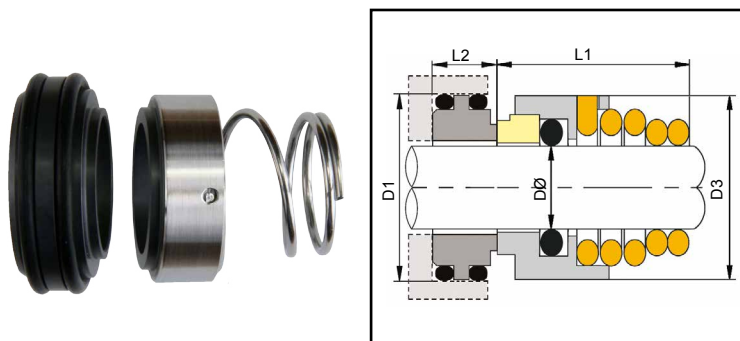
Stramek manufacture and stock a wide range of conical spring seals to suit several Grundfos® Hilge® centrifugal pump ranges, such as Hygia®, Maxana® and Sipla®. To aid identification of these very similar looking seals, please use the table below as your guide, showing the installed dimensions with the Stramek STK code and the O.E.M. STK code.



SHAFT SIZE DØ	SIZE CODE	D1	D3	L1	L2	Stramek STK CODE	O.E.M. SEAL CODE
19.00	0190	30.90	31.00	25.00	8.00	12	001-19 O3
19.00	0190	30.90	31.00	25.00	8.00	12S	001-19 O5
19.00	0190	35.00	31.00	20.00	9.50	8BU	002-19 O3
22.00	0220	37.00	33.00	27.50	10.00	126	L1K-22 F3
28.00	0280	43.30	40.00	29.00	9.00	12	001-28 O3
28.00	0280	43.30	40.00	29.00	9.00	12H	001-28 A3
28.00	0280	43.30	40.00	29.00	9.00	12S	001-28 O5
28.00	0280	42.00	40.00	24.60	11.00	8B	002-28 O3
30.00	0300	45.00	43.00	32.50	10.00	126	L1K-30 F3
30.00	0300	45.00	43.00	32.50	10.00	126L	L1K-30 G3
30.00	0300	45.00	43.00	40.00	10.00	127	L1N-30 D3
38.00	0380	60.50	53.00	39.00	11.50	12	001-38 O3
38.00	0380	55.00	53.00	31.00	11.50	8B	002-38 O3
40.00	0400	58.00	56.00	34.00	13.00	126	L1K-40 F3
40.00	0400	58.00	56.00	34.00	13.00	126L	L1K-40 G3
50.00	0500	70.00	66.00	38.00	14.00	126	L1K-50 F3
50.00	0500	70.00	66.00	38.00	14.00	126L	L1K-50 G3
50.00*	0500	70.00	66.00	43.00	14.00	8BU	1238-50 O3

If the final digit of the O.E.M. seal code is “2” then the replacement seal requires an anti-clockwise rotation coil. Please replace the “R” character in the Stramek code with “L” for anti-clockwise coil. If the O.E.M. code you require is not listed, check the two seal Types following or please contact us with your requirements.

STK 128

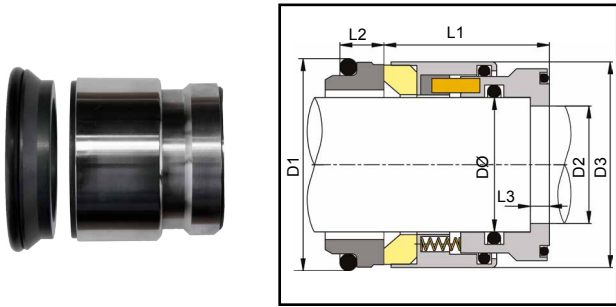


Stramek manufacture and stock our STK 128 conical spring seals with bi-elastomeric seats, for pumps with flushed seal chambers.

The STK 128 is frequently installed in tandem with the STK 12 seals listed above, on Grundfos®, Hilge® centrifugal pumps.

SHAFT SIZE DØ	SIZE CODE	D1	D3	L1	L2	O.E.M. SEAL CODE
19.00	0190	39.30	31.00	20.00	10.80	0B3-19 B3
28.00	0280	47.30	40.00	26.50	11.30	0B3-28 B3
38.00	0380	59.30	53.00	33.50	11.30	0B3-38 B3

Hygienic 1662/1663 Seal Types



Stramek manufacture and stock multi-spring seals to replace the original O.E.M. wave-spring seals, utilised for hygienic applications in Grundfos® Hilge® centrifugal pumps.

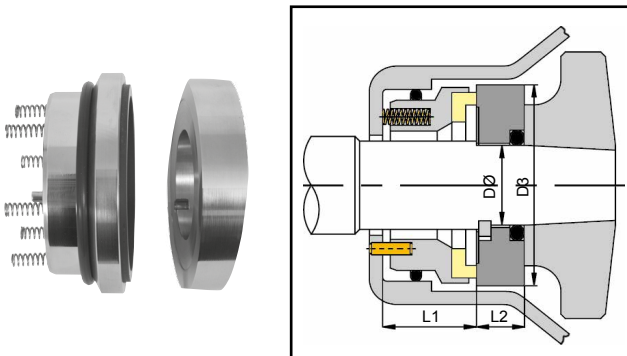
The common centrifugal series includes; Hygiana®, Euro Hygia®, Maxana®, Dura®, Sipla®, Contra® and Durietta®. However, the seal codes are universal and you may identify your seal from the codes below.

Conversion to the direct replacement Stramek balanced multiple-spring design avoids the potential for premature single wave-spring failure.

SHAFT SIZE DØ	SIZE CODE	D1	D2	D3	L1	L2	L3	Stramek STK CODE	O.E.M. SEAL CODE
19.00	0190	30.90	16.00	33.50	29.00	8.00	4.00	1662	001-19 O1
28.00	0280	43.30	24.00	43.00	33.00	9.00	4.00	1662	001-28 O1
28.00	0280	43.30	24.00	43.00	33.00	9.00	4.00	1662L	001-28 A1
28.00	0280	48.00	24.00	43.00	34.50	10.50	0.50	1663	BS2-28 O1
28.00	0280	48.00	24.00	43.00	38.00	10.50	4.00	1663A	BS3-28 O1
38.00*	0380	60.50	35.00	52.80	43.00	11.50	4.00	1662	001-38 O1
38.00	0380	57.10	35.00	52.80	35.00	10.50	0.50	1663	BS2-38 O1

Stramek® seals to suit INOXPA® pumps

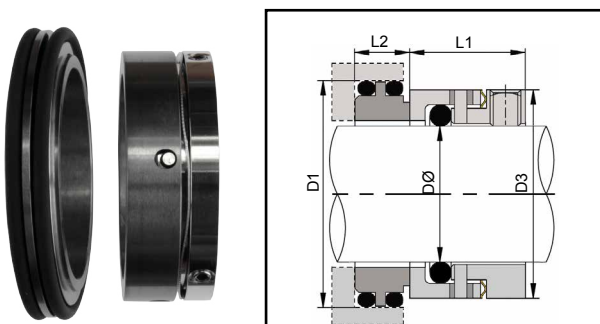
STK 50 Seals to suit Prolac® Series pumps



Stramek manufacture and stock STK 50 stationary multi-spring seals, to suit Inoxpa® Prolac® “S-” series pumps, with single or tandem seal arrangements. With stationary seals like the STK 50, the coils are on the stationary and the rotary is a counter-ring. Pumps with flushed seal chambers use tandem seals, with the Stramek STK 50 in the impeller position, and a standard Stramek STK 1688 in the outer flush water position. Dimensions for the STK 1688 can be found in the Wave-Spring Seals section.

SHAFT SIZE DØ	SIZE CODE	D3	L1	L2
0.625	0158	44.50	26.00	10.50
1.000	0254	53.50	26.00	10.00
1.500	0381	74.00	31.00	15.50

STK 1683 Seals to suit inoxpa® SLR® Series Lobe Rotor pumps



Stramek manufacture and stock STK 1683 wave-spring ‘O’-Ring mounted seals with bi-elastomeric seats, to suit Inoxpa® SLR® series lobe-rotor pumps. As with the majority of lobe rotor designs, two seals are required for each pump.

SHAFT SIZE DØ	SIZE CODE	D1	D3	L1	L2
28.00	0280	45.00	39.00	19.10	12.00
35.00	0350	53.00	45.50	19.10	12.00
50.00	0500	70.00	63.50	23.00	12.00
65.00	0650	90.00	82.30	25.80	14.00