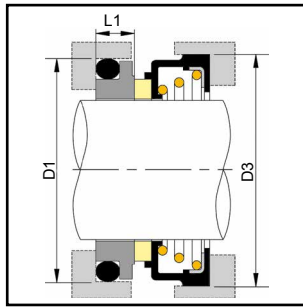


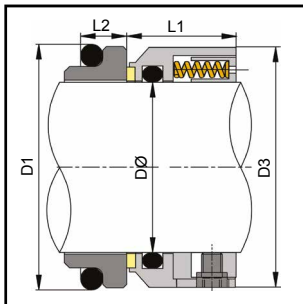
## Stramek® STK 28 To Suit Haigh® Macerators



Stramek manufacture and stock 1.1/4" rotaries, and 1.3/4" complete seals, to suit Haigh® macerators. Rotaries have Carbon faces with Nitrile elastomers, complete seals have a Ni-Resist cast iron stationary with a Nitrile 'O'-Ring.

SHAFT SIZE DØ	SIZE CODE	D1	D3	L1
1.500	0317	N/A	57.50	N/A
1.750	0444	67.00	70.00	7.50

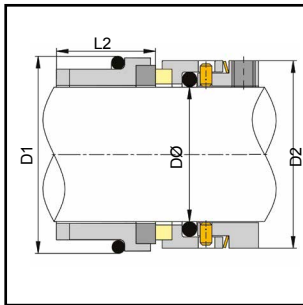
## Stramek® STK 1620 To Suit Haigh® Macerators



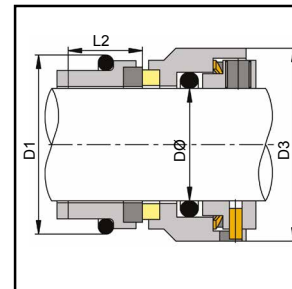
Stramek manufacture and stock 42mm complete multi-spring 'O'-Ring mounted seals with 'O'-Ring mounted seats to suit Haigh® macerators.

SHAFT SIZE DØ	SIZE CODE	D1	D3	L1	L2
42.00	0420	62.00	65.00	30.15	14.10

## Stramek® STK 1689 To Suit I.M.O.® Pumps



## Stramek® STK 1690 To Suit I.M.O.® Pumps



SHAFT SIZE DØ	SIZE CODE	D1	D2	D3	L2
22.00	0220	35.00	33.00	38.00	23.50

## Stramek® Seals To Suit I.M.O.® Pumps

Stramek manufacture and stock a wide range of standard dimension seals to suit I.M.O.® pumps, commonly found in marine applications.

To replace the five-part O.E.M. seal supplied for ACE series pumps, generations 3 and above, Stramek have designed the following seals,

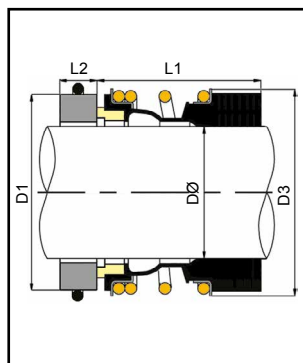
which offer a standard configuration seal with a rotary and a stationary, which is far easier to install than the original O.E.M. seal.

To replace O.E.M. seal Types "T" and "Q" please use Stramek STK 1689.

To replace O.E.M. seal Types "U" and "V" please use Stramek STK 1690.

For other I.M.O.® requirements, please contact us with details.

## Stramek® STK 144 To Suit Kolmecks® Pumps



Stramek manufacture and stock a range of rubber bellow seals with distinctive 'O'-Ring mounted stationaries, to suit Kolmecks® A-, L-, N- and T- series circulating pumps. These pumps are also seen with other brand names, such as Armstrong®, Pullen® and I.T.T. Flygt®.

SHAFT SIZE DØ	SIZE CODE	D1	D3	L1	L2
12.00	0120	22.22	22.00	25.40	5.50
18.00	0180	30.15	32.00	24.50	8.00
25.00	0250	36.73	39.00	25.40	8.00
32.00	0320	46.00	46.00	30.15	8.50
40.00	0400	58.00	56.00	36.00	9.00