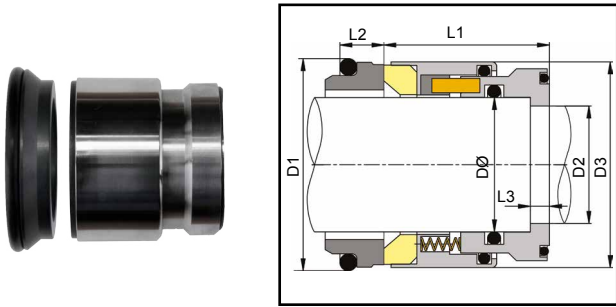


**Hygienic 1662/1663 Seal Types**



Stramek manufacture and stock multi-spring seals to replace the original O.E.M. wave-spring seals, utilised for hygienic applications in Grundfos® Hilge® centrifugal pumps.

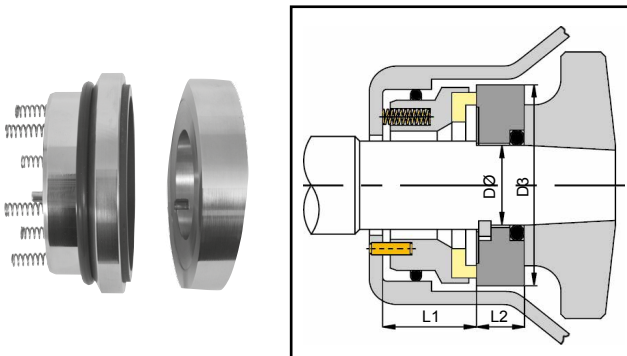
The common centrifugal series includes; Hygiana®, Euro Hygia®, Maxana®, Dura®, Sipla®, Contra® and Durietta®. However, the seal codes are universal and you may identify your seal from the codes below.

Conversion to the direct replacement Stramek balanced multiple-spring design avoids the potential for premature single wave-spring failure.

SHAFT SIZE DØ	SIZE CODE	D1	D2	D3	L1	L2	L3	Stramek STK CODE	O.E.M. SEAL CODE
19.00	0190	30.90	16.00	33.50	29.00	8.00	4.00	1662	001-19 O1
28.00	0280	43.30	24.00	43.00	33.00	9.00	4.00	1662	001-28 O1
28.00	0280	43.30	24.00	43.00	33.00	9.00	4.00	1662L	001-28 A1
28.00	0280	48.00	24.00	43.00	34.50	10.50	0.50	1663	BS2-28 O1
28.00	0280	48.00	24.00	43.00	38.00	10.50	4.00	1663A	BS3-28 O1
38.00*	0380	60.50	35.00	52.80	43.00	11.50	4.00	1662	001-38 O1
38.00	0380	57.10	35.00	52.80	35.00	10.50	0.50	1663	BS2-38 O1

**Stramek® seals to suit INOXPA® pumps**

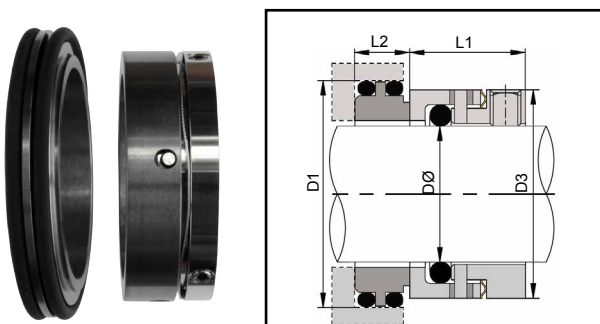
STK 50 Seals to suit Prolac® Series pumps



Stramek manufacture and stock STK 50 stationary multi-spring seals, to suit Inoxpa® Prolac® “S-” series pumps, with single or tandem seal arrangements. With stationary seals like the STK 50, the coils are on the stationary and the rotary is a counter-ring. Pumps with flushed seal chambers use tandem seals, with the Stramek STK 50 in the impeller position, and a standard Stramek STK 1688 in the outer flush water position. Dimensions for the STK 1688 can be found in the Wave-Spring Seals section.

SHAFT SIZE DØ	SIZE CODE	D3	L1	L2
0.625	0158	44.50	26.00	10.50
1.000	0254	53.50	26.00	10.00
1.500	0381	74.00	31.00	15.50

**STK 1683 Seals to suit inoxpa® SLR® Series Lobe Rotor pumps**



Stramek manufacture and stock STK 1683 wave-spring ‘O’-Ring mounted seals with bi-elastomeric seats, to suit Inoxpa® SLR® series lobe-rotor pumps. As with the majority of lobe rotor designs, two seals are required for each pump.

SHAFT SIZE DØ	SIZE CODE	D1	D3	L1	L2
28.00	0280	45.00	39.00	19.10	12.00
35.00	0350	53.00	45.50	19.10	12.00
50.00	0500	70.00	63.50	23.00	12.00
65.00	0650	90.00	82.30	25.80	14.00