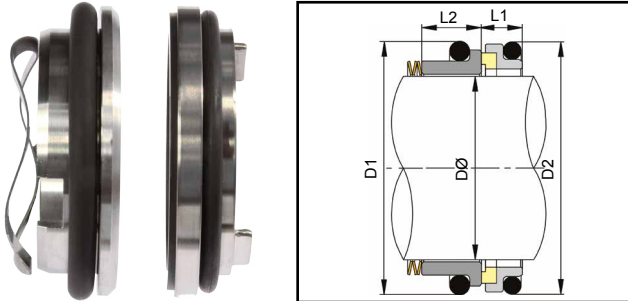


Stramek manufacture and stock a wide range of standard range seals that are utilised in S.P.X.® Johnson® equipment, such as our STK RD24S, STK EBG12 and STK WS7M seal ranges. Stramek also make and stock several special design / dimension seals, the most common of which are detailed below.

## STK 1650 Face Sets to suit OL® -Series Lobe Rotor pumps

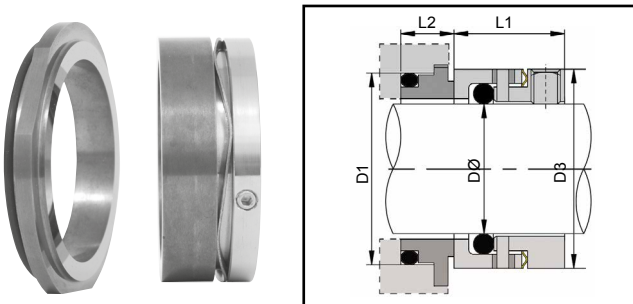


Stramek manufacture and stock replacement seal face sets, complete with wave-springs and the necessary 'O'-Rings, in shaft sizes 24, 40 and 53mm.

For 75mm and all double seal versions, to suit pumps with flushed chambers, please contact us.

SHAFT SIZE DØ	SIZE CODE	D1	D2	L1	L2	O.E.M. PUMP MODEL
24.00	0240	38.00	37.50	11.00	14.00	OL 1
40.00	0400	58.00	56.00	12.50	15.50	OL 2
53.00	0530	71.00	69.00	11.50	17.50	OL 3

## STK 1688Y Seals to suit IC® and PD® -Series Lobe Rotor pumps



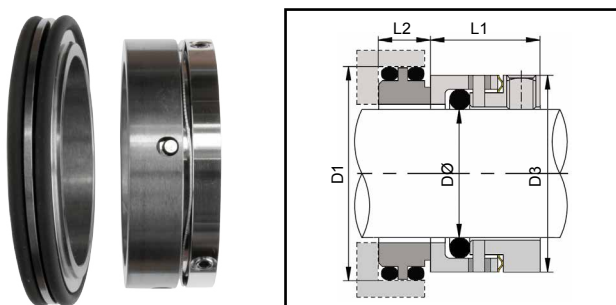
Stramek manufacture and stock our STK 1688Y 'O'-Ring mounted wave-spring seals, with the very distinctive seat outer profile.

30mm size stationary has a single semi-circular anti-rotation slot, other sizes have three flat anti-rotation "slots".

Stramek also offer our STK 1682Y in 30mm and 35mm sizes, featuring a standard STK 1682 rotary with the 1688Y stationary, which maybe the preferred option for these shaft sizes.

SHAFT SIZE DØ	SIZE CODE	D1	D3	L1	L2	O.E.M. PUMP MODEL
30.00	0300	40.00	41.00	19.10	9.30	IC 10 , PD 10
35.00	0350	44.50	45.50	19.10	9.20	IC 20 , PD 20
50.00	0500	62.00	61.90	21.10	10.40	IC 30 , PD 30
70.00*	0700	85.00	88.90	25.80	14.10	IC 40 , PD 40
80.00*	0800	95.00	101.00	25.80	16.20	IC 50 , PD 50

## STK 1688Z Seals to suit TL® -Series Lobe Rotor Pumps



Stramek manufacture and stock our STK 1688Z 'O'-Ring mounted wave-spring seals with bi-elastomeric stationaries, to suit "Top Lobe®" series lobe-rotor pumps.

please note;

Stramek offer other specific design seals to suit S.P.X. Johnson pumps, such as our STK 1649 to suit "Top Wing®" and our STK 1698 to suit "SQ®" series pumps. Please contact us with your requirements and for stock availability on these.

SHAFT SIZE DØ	SIZE CODE	D1	D3	L1	L2	O.E.M. PUMP MODEL
30.00	0300	48.00	41.00	19.10	10.30	TL 1
35.00	0350	55.00	45.50	19.10	12.00	TL 2
50.00	0500	72.00	61.90	21.10	12.00	TL 3