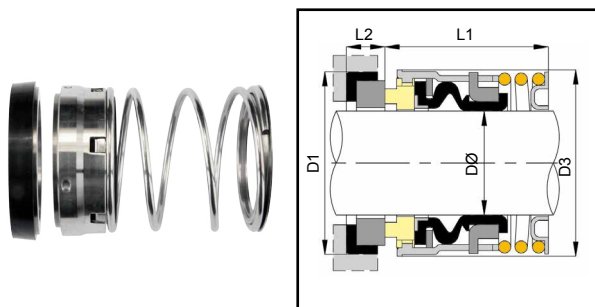


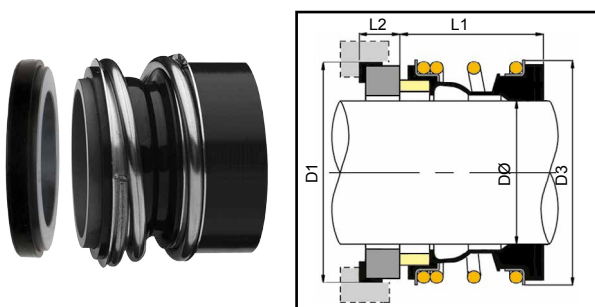
## Stramek® STK N5 to Suit National Oilwell® Mission Magnum® Pumps.



Stramek hydraulically balanced elastomer diaphragm seals of 2.500" shaft size, with improved design to suit the adverse conditions associated with "mud" pumps, commonly found in oil extraction applications, such as drilling rigs. Stramek's design, specifically created for these applications provides the seal performance benefits of a machined head retainer, hydraulic balance and a full boot mounted seat. As 'O'-Ring mounted seats are less able to seal the frequently pitted, corroded housings. Stramek also supplies the replacement shaft sleeves to suit these pumps, on stock code 0635. N5.V.X.SLEE.

SHAFT SIZE DØ		Size Code	d1		d3		I1		I2	
Imperial	Metric		Imperial	Metric	Imperial	Metric	Imperial	Metric	Imperial	Metric
2.500	63.50	0635	3.375	85.73	3.210	81.54	2.500	63.50	0.567	14.40

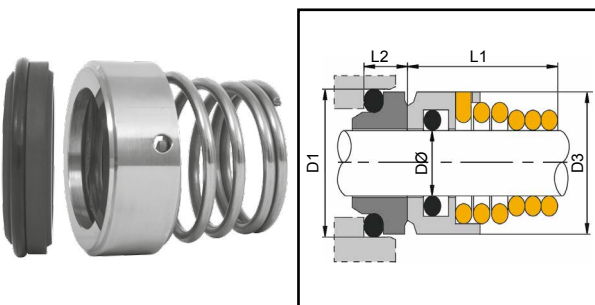
## Stramek® STK 196 32mm to Suit S.P.P.® Pumps.



Stramek manufacture and stock 32mm elastomer bellow seals with smooth-boot stationaries, to suit the extended seal chamber of S.P.P.® Eurostream® centrifugal pumps, commonly associated with large building service applications, such as heating and fire systems.

SHAFT SIZE DØ	SIZE CODE	D1	D3	L1	L2
32.00	0320	48.00	46.00	40.00	7.50

## Stramek® STK 121 to Suit Sterling Sihî® Pumps.



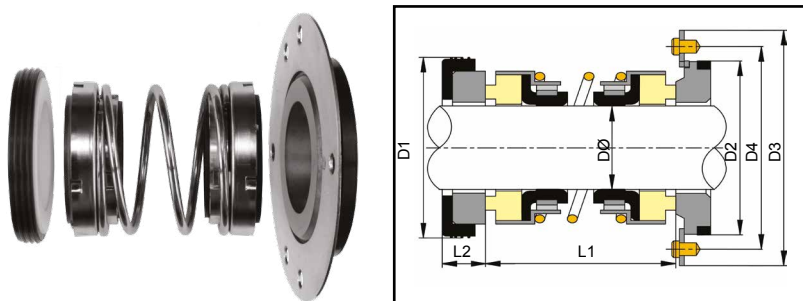
Stramek manufacture and stock 38mm 'O'-Ring mounted conical spring seals, in clockwise and anti-clockwise rotation, to suit the housing dimensions of common Sterling Sihî® pumps.

SHAFT SIZE DØ	SIZE CODE	D1	D3	L1	L2
38.00	0380	53.50	53.00	42.00	9.50

Stramek stocks many standard range seals to suit Sterling Sihî® pumps, such as STK CS2, STK CS2DIN, STK EBG12S, STK H40 and STK WS7M.

Please contact us with the O.E.M. details for cross reference and identification.

## Stramek® STK 260B to Tsurumi® Pumps.



Stramek manufacture and stock a range of elastomer diaphragm double-ended seals, with boot stationaries at oil side and bezel seats at impeller side, to suit the seal chamber of various Tsurumi® submersible pumps. STK 260B seals are supplied complete with bezel plates for the inboard seat.

SHAFT SIZE DØ	SIZE CODE	D1	D2	D3	D4 P.C.D.	L1	L2
20.00	0200	38.00	44.00	72.00	60.00	8.00	34.00
25.00	0250	44.00	50.00	72.00	60.00	8.00	34.00
30.00	0300	50.00	57.00	82.00	70.00	8.00	42.00
35.00	0350	58.00	65.00	94.00	80.00	9.00	42.00
40.00	0400	64.00	70.00	100.00	85.00	9.00	44.50
45.00	0450	66.00	70.00	105.00	90.00	9.00	45.00
50.00	0500	72.00	80.00	109.00	95.00	9.00	49.50